



US

Before you begin to use your new Jabra Bluetooth® headset, you must fully charge it and set it up by “pairing” it with your selected Bluetooth device.

For customer service, full manual and for use with your mobile phone see

www.jabra.com/warhawk

If additional assistance is needed please call Jabra at 1.800.327.2230 (toll-free in USA) 1.603.579.5311 (Canada) or visit us at our website at www.jabra.com/warhawk before returning to the store where you purchased your Jabra Bluetooth headset.

F

Before you begin to use your new Jabra Bluetooth® headset, you must fully charge it and set it up by “pairing” it with your selected Bluetooth device.

For customer service, full manual and for use with your mobile phone see

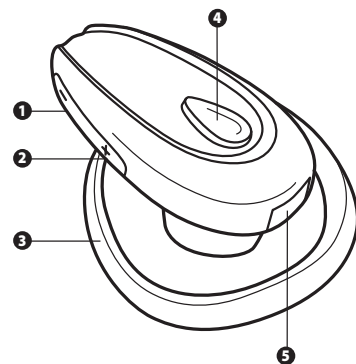
www.jabra.com/warhawk

If additional assistance is needed please call Jabra at 1.800.327.2230 (toll-free in USA) 1.603.579.5311 (Canada) or visit us at our website at www.jabra.com/warhawk before returning to the store where you purchased your Jabra Bluetooth headset.

Part number 81-01832_RevB

Jabra BT125

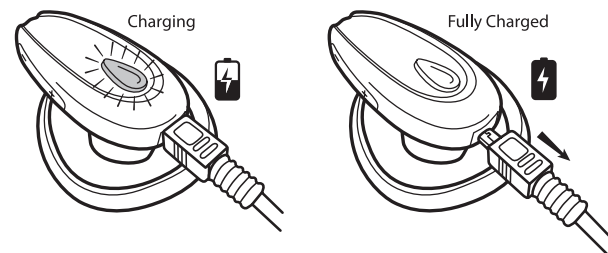
- 1 Volume down
Volume bas
- 2 Volume up
Volume haut
- 3 Adjustable earhook
Oreillette réglable
- 4 Light indicator (LED)
Answer/end button
Voyant lumineux (DEL)
- 5 Charging socket
Touche Réponse/Fin



US GETTING STARTED

F GETTING STARTED

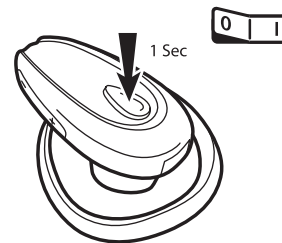
1. Charge your headset
Charge your headset



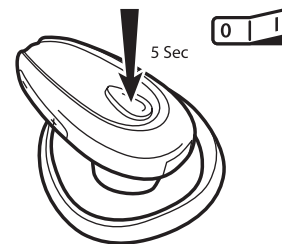
To charge using the PS3™ USB port, the PS3 should be on and the cable must be plugged into the USB port.

To charge using the PS3™ USB port, the PS3 should be on and the cable must be plugged into the USB port.

2. Turning your headset on
Turning your headset on



3. Turning your headset off
Turning your headset off



US Pairing your Jabra BT125 with PLAYSTATION®3

F Pairing your Jabra BT125 with PLAYSTATION®3

1. Prepare your PLAYSTATION 3 for pairing by going to **Settings** on the XrossMediaBar (XMB™) and selecting **Accessory Settings**.

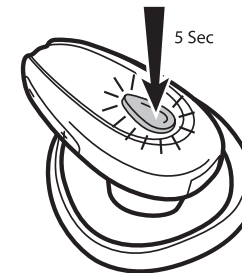
Prepare your PLAYSTATION 3 for pairing by going to **Settings** on the XrossMediaBar (XMB™) and selecting **Accessory Settings**.

2. Choose **Register Bluetooth Device**.
Choose **Register Bluetooth Device**.

3. On the next screen, select **Register Headset/Microphone/Headphones**.

On the next screen, select **Register Headset/Microphone/Headphones**.

4. Ensure your Jabra BT125 is off. On your Jabra BT125, press and hold the **Answer/End** button for five seconds, until a solid blue light comes on, which places the device in **Bluetooth discoverable** mode.



Ensure your Jabra BT125 is off. On your Jabra BT125, press and hold the **Answer/End** button for five seconds, until a solid blue light comes on, which places the device in **Bluetooth discoverable** mode.

5. Select **Start Scanning** on your PS3.
Select **Start Scanning** on your PS3.

6. Your PS3 will scan and locate the Bluetooth device. Select it from the list that appears.

Your PS3 will scan and locate the Bluetooth device. Select it from the list that appears.

7. You will be asked for a **Pass Key**. Enter **0000**.
You will be asked for a **Pass Key**. Enter **0000**.

8. You may then set the microphone volume level and test the device operation, by going back to **Accessory Settings**, and selecting **Audio Device Settings**.

You may then set the microphone volume level and test the device operation, by going back to **Accessory Settings**, and selecting **Audio Device Settings**.

Congratulations! Your Jabra BT125 is paired with your PLAYSTATION 3.

Congratulations! Your Jabra BT125 is paired with your PLAYSTATION 3.

Jabra BT125 Quick Start Guide



Jabra

